

Fuse Holder



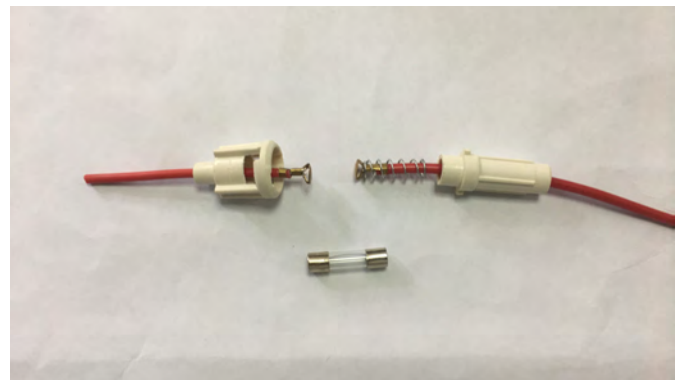
SPECIFICATION:

Case material	PA66
Colour	White
Fuse size	ø 5 x 20 mm
Insulation resistance	DC 500V 100MΩ Min
Rated current	10 A
Rated voltage	250 VAC
Voltage breakdown	AC 1500V 1 minute

Installing Instructions



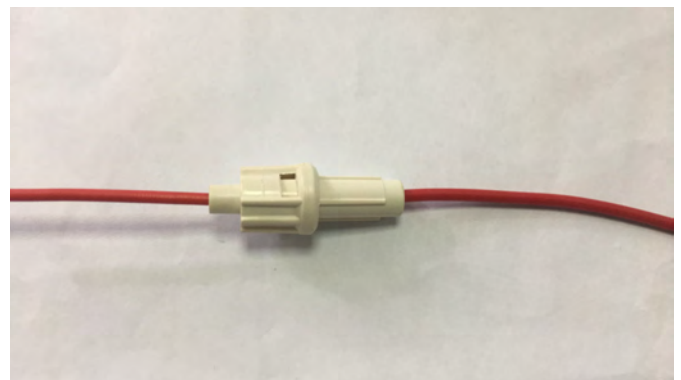
1



2



3

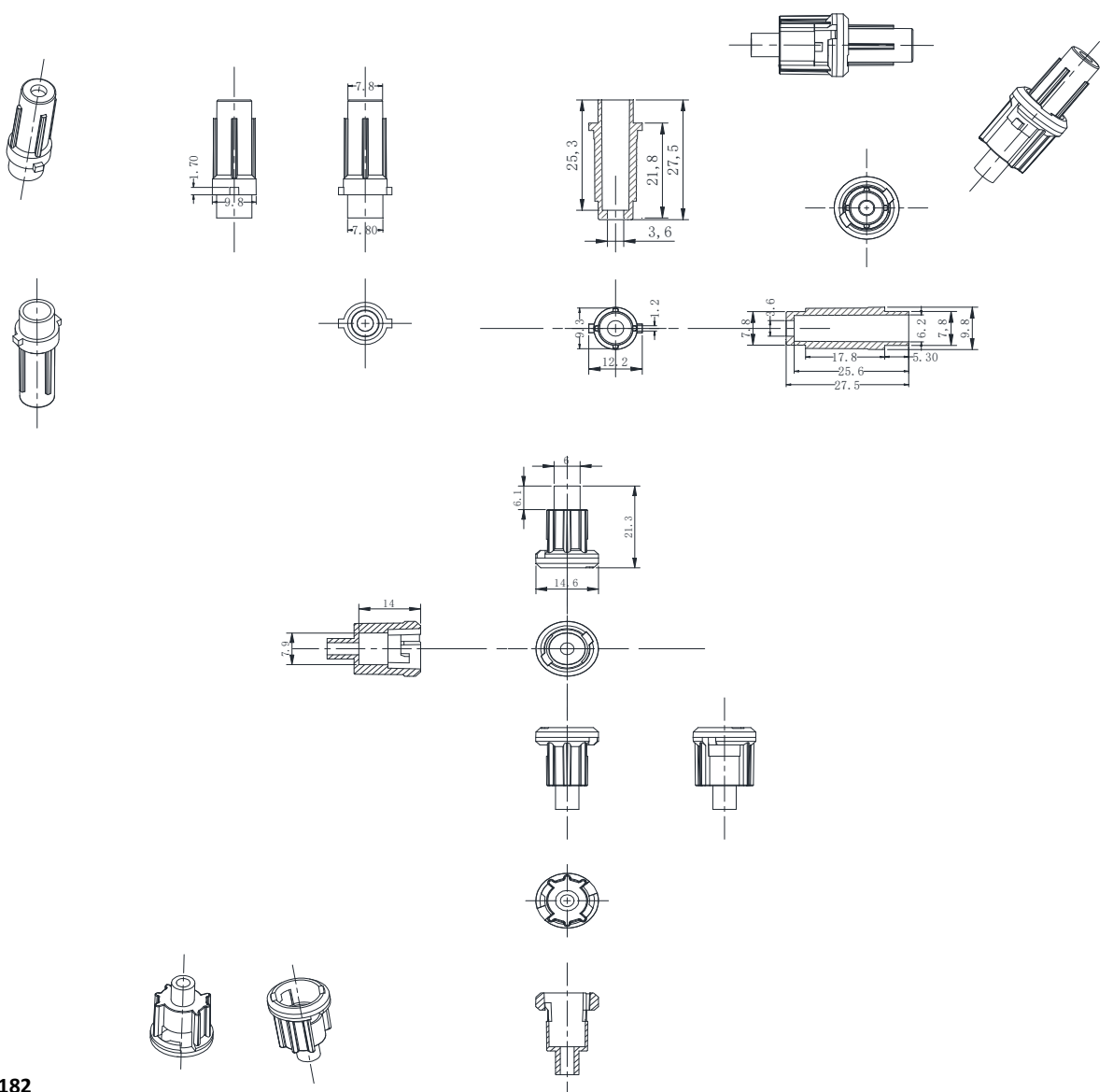
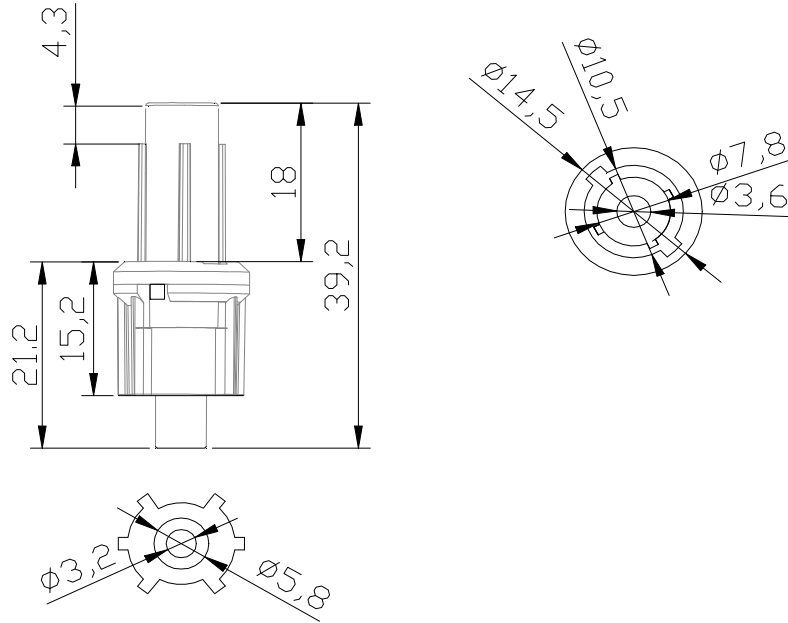


4

Please note that item not include wire and wire contacts

Fuse Holder

Product Drawing:



Art. Nr.
RND 170-00182